



**Guldmann Inc.**  
Tel. 800 664 8834  
Tel. 813 880 0619  
Fax 813 880 9558  
info@guldmann.net  
www.guldmann.net

## Free-standing single rail system, adjustable Technical specifications

### Functions

Max. capacity : 560 lbs (255 kg)

### Weight and Materials

Free-standing single rail system, adjustable  
2,0 m - 2,5 m - 3,0 m:

Total weight : 109 lbs (49,5 kg), 115 lbs (52 kg),  
120 lbs (54,5 kg)

Top brackets and rail : 50 lbs (22,5 kg), 55 lbs (25 kg),  
61 lbs (27,5 kg)

Vertical poles w. feet : 30 lbs (13.5 kg) each

Rail and poles : Anodized aluminium  
Feet : Powder varnished steel  
Brackets : Powder varnished steel

### Measurements

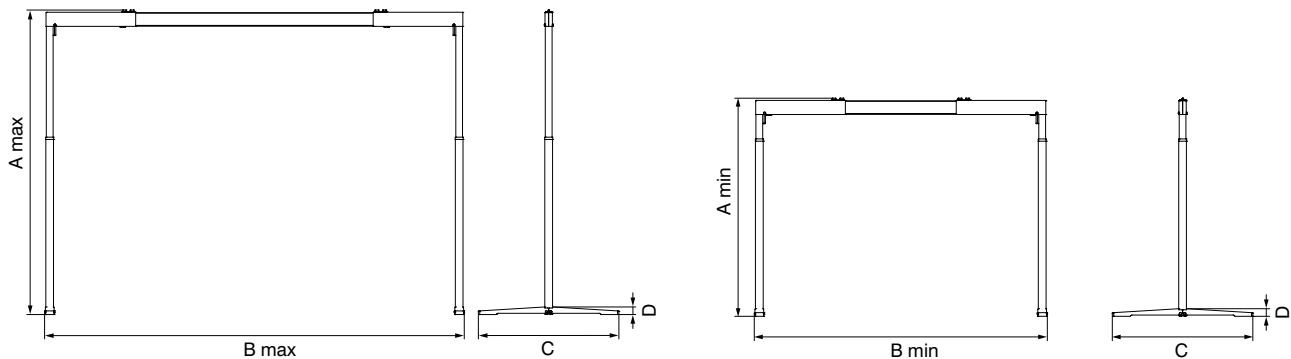
A min : 2020 mm  
B min : 2220 mm - 2720 mm - 3220 mm  
A max : 2820 mm  
B max : 3390 mm - 3890 mm - 4390 mm  
C : 1303 mm  
D : 71 mm

### Labelling

The product is manufactured in compliance with the Council Directive 93/42/EEC of June 14th 1993, including amendments, as medical device class 1.

### Item Number/Model

553000 : Free-standing single rail system,  
adjustable 2,5 m  
556000 : Free-standing single rail system,  
adjustable 2,0 m  
556297 : Free-standing single rail system,  
adjustable 3,0 m



Time to care

Guldmann™